

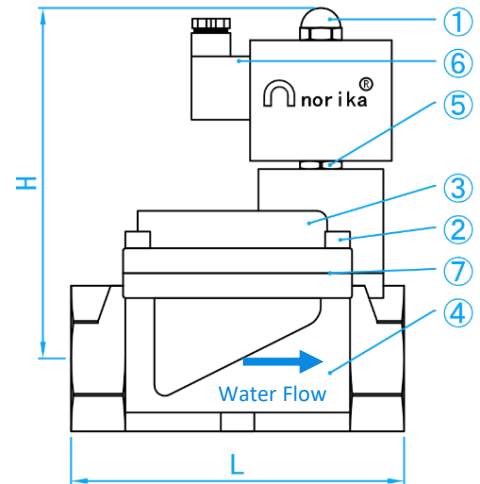
STAINLESS STEEL 304 FLUID SOLENOID VALVE (ENERGY SAVING NORMALLY CLOSED IP65)

COMPLY WITH BS EN 12288

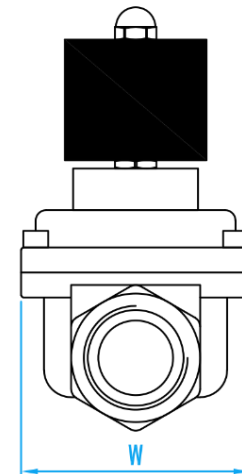


Is an energy saving solenoid valve, low power consumption and will not overheat. Constantly supplies water and in the occurrence of the power is turned off or power failure water supply will be automatically shut off.

* Note: Normally closed when powered off.



FRONT VIEW



SIDE VIEW

STANDARD SPECIFICATIONS

Nominal Pressure	0.5 -16 Bar
Voltage Rating	AC: 24-220V DC: 24-220V
Power	15 ~ 25mm Starting Power: 30 W Steady Power: 5 W
	35 ~ 50mm Starting Power: 40 W Steady Power: 7 W
Operating Temperature	-5°C ~120°C
Waterproof Grade	IP65 (IP65 is not ideal for fully exposed environments (direct rain, flooding risk))

DIMENSIONS

SKU	SIZE (mm)	L (mm)	W (mm)	H (mm)	WEIGHT (kg)	PCS/CTN
SVSSN015 IP65ES	15	69	48.5	110	0.860	25
SVSSN020 IP65ES	20	79	55.5	118	1.075	25
SVSSN025 IP65ES	25	96	70.0	124	1.435	20
SVSSN035 IP65ES	35	109	70.0	128	1.695	10
SVSSN042 IP65ES	42	128	95.0	139	2.885	10
SVSSN050 IP65ES	50	150	100.0	148	4.300	6

COMPONENT PARTS

ITEM	PARTS	MATERIAL
1.	Nut & Washer	AISI304
2.	Bolt	AISI304
3.	Valve Bonnet	AISI304
4.	Valve Body	AISI304
5.	Spring Plunger	AISI304
6.	DIN Box	BMC
7.	O-Ring	FKM